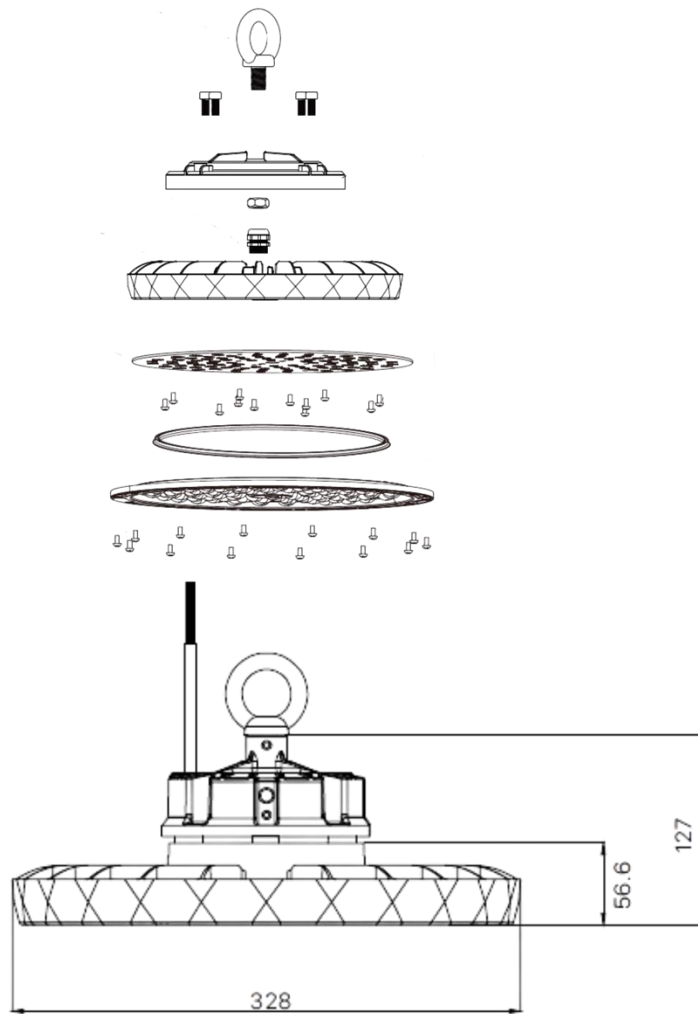




Dimensions



Align the triangle mark at the demand beam angle Nr